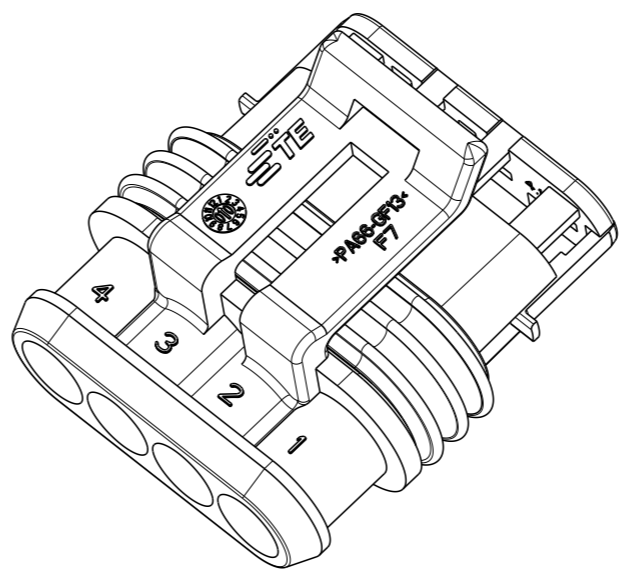
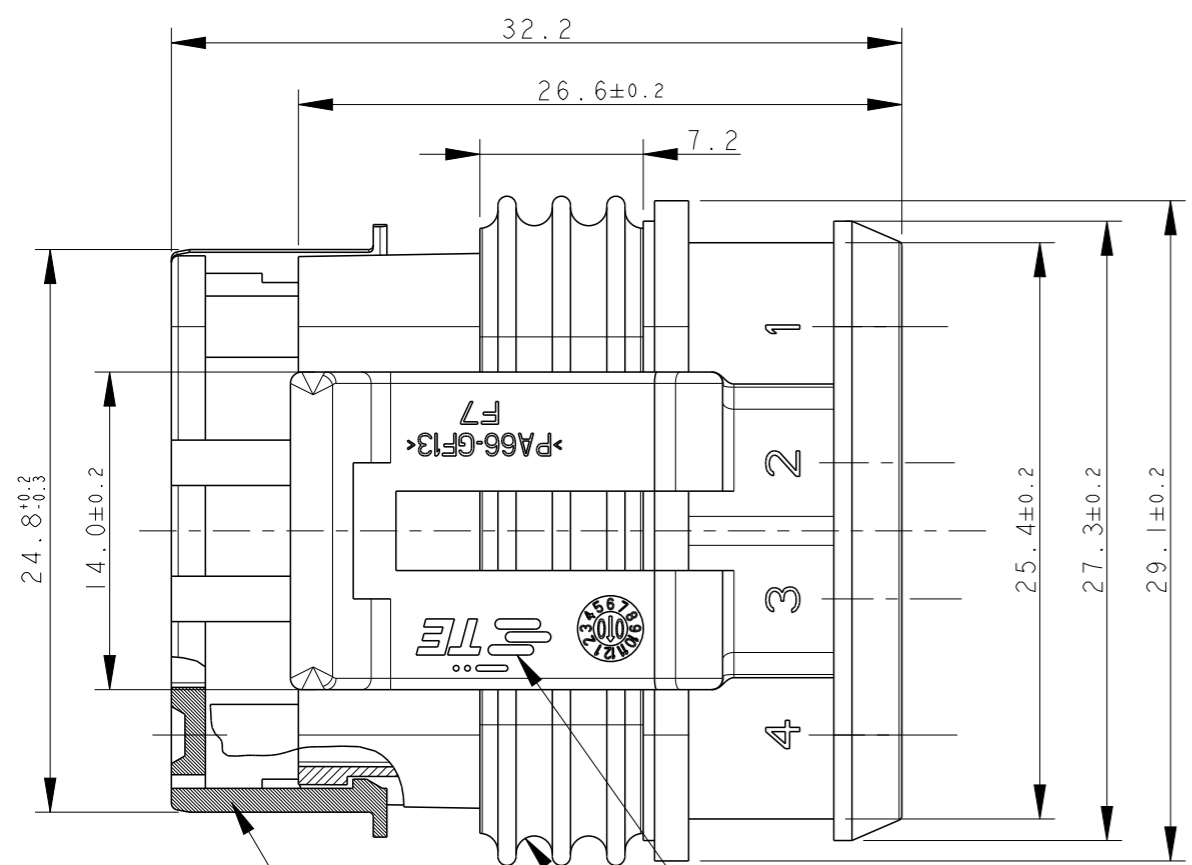
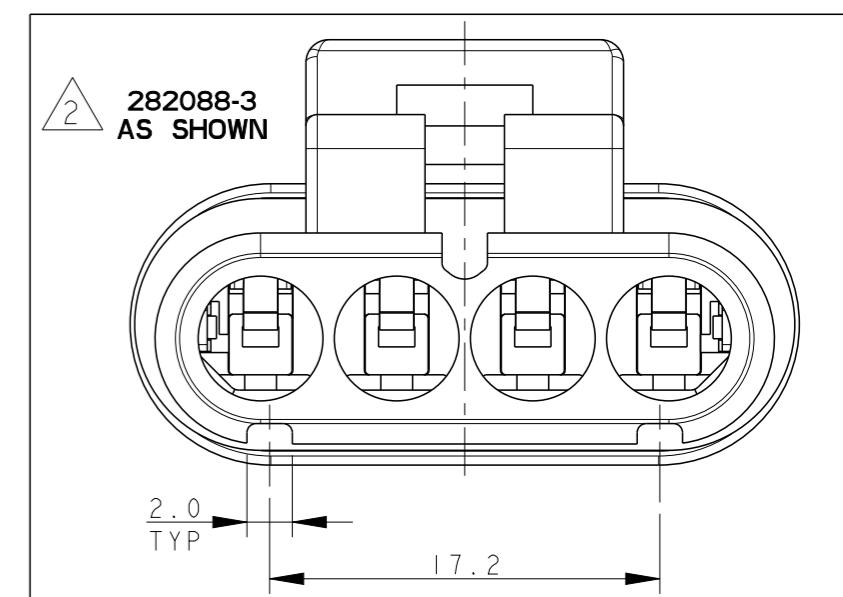
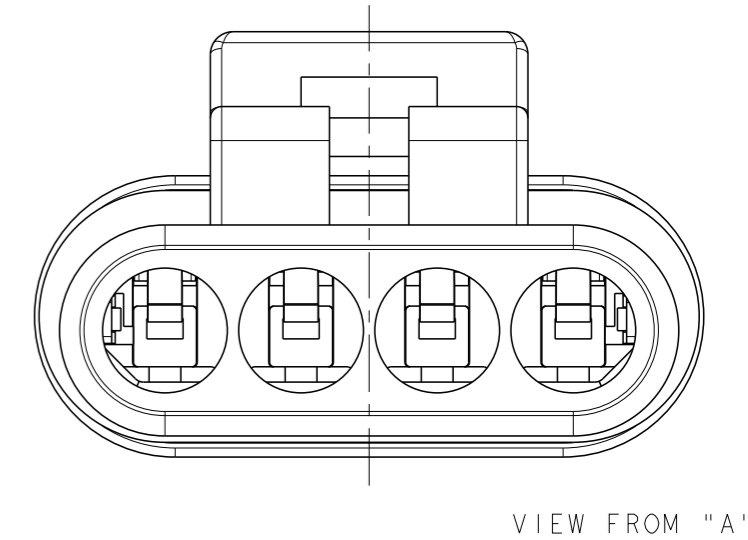
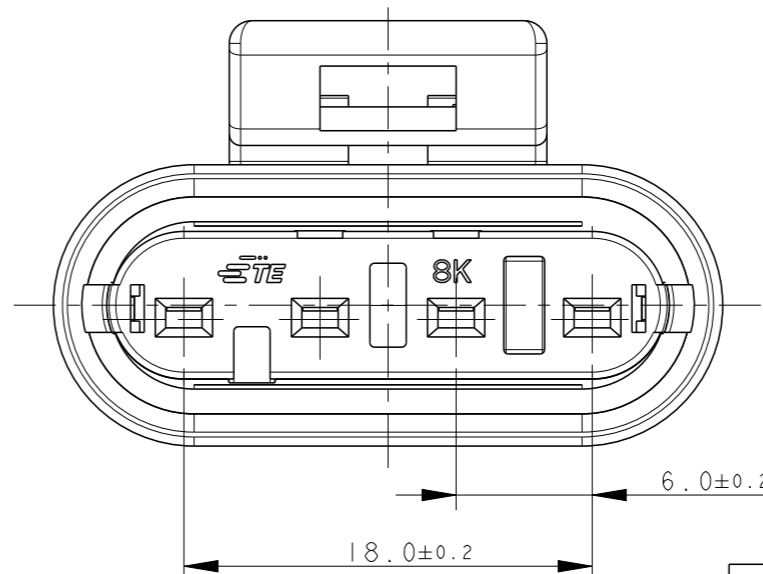
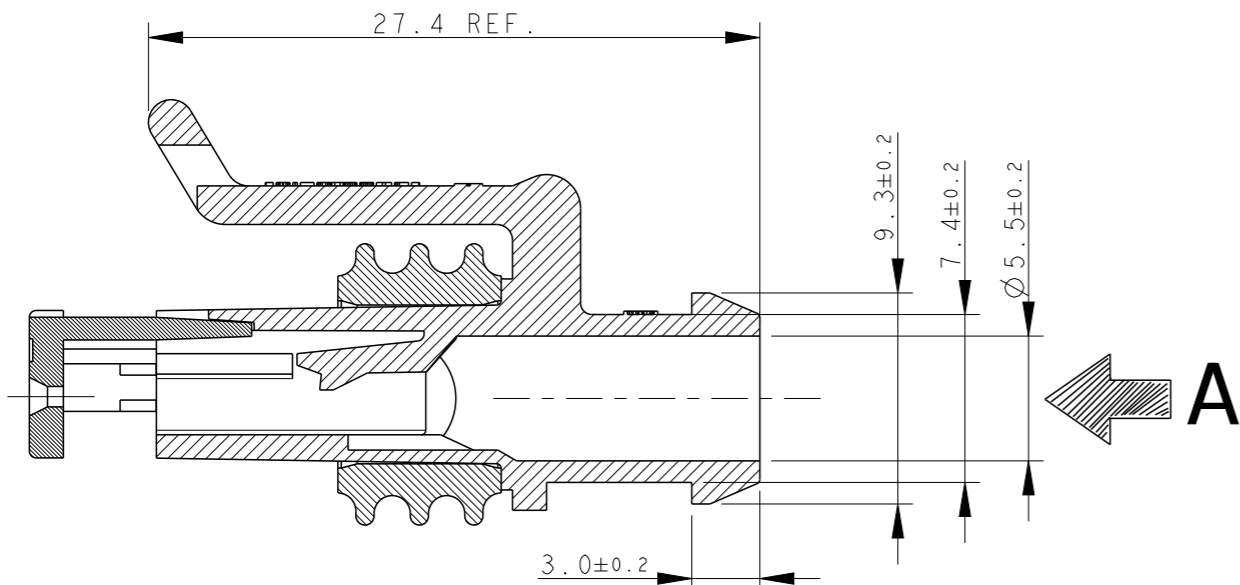


| P  | LTR | DESCRIPTION               | DATE      | DWN  | APVD |
|----|-----|---------------------------|-----------|------|------|
| F3 |     | REVISED (ECR-15-014031)   | 2ESEP2015 | M.G. | M.G. |
| F4 |     | REVISED PER ECO-17-001706 | 10FEB2017 | C.A. | M.G. |



| COLOUR  | MATERIAL                                  | PART NUMBER |
|---------|---|-------------|
| 2 BLACK | HOUSING+SEC.LOCK: PA66-GF<br>SEALING: LSR | 282088-3    |
| GRAY    |   | 282088-2    |
| BLACK   |   | 282088-1    |

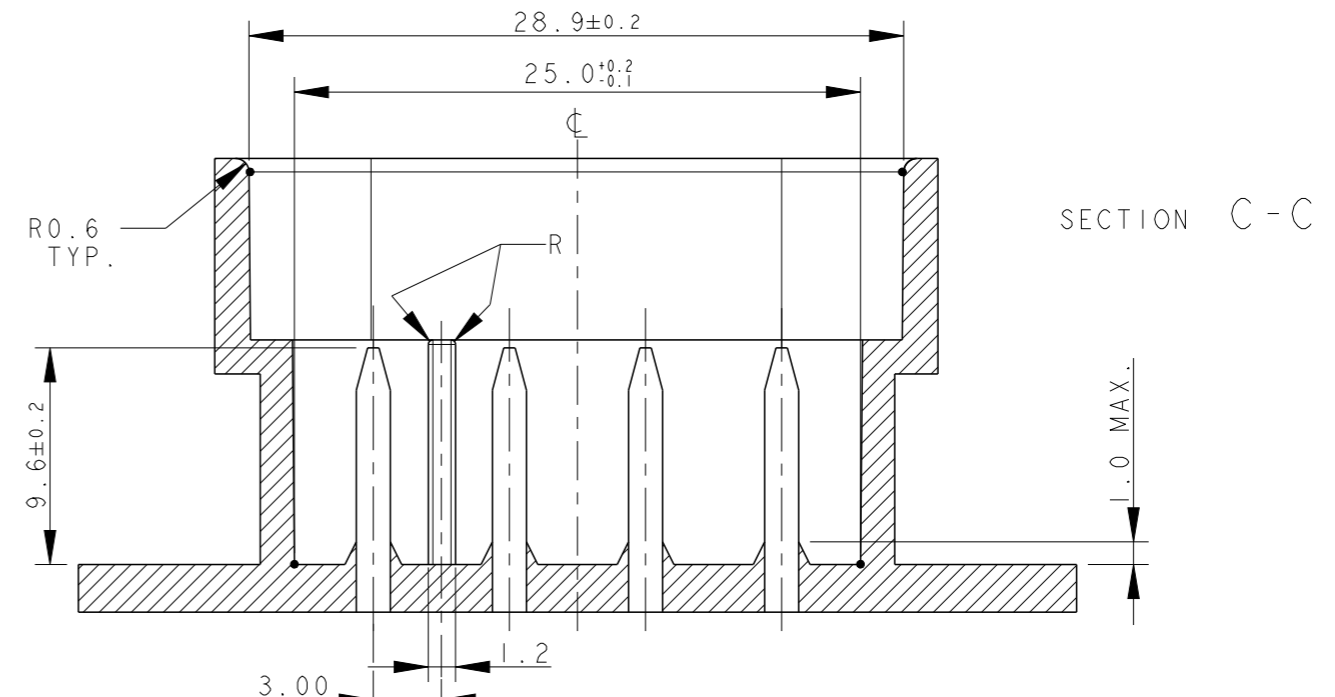
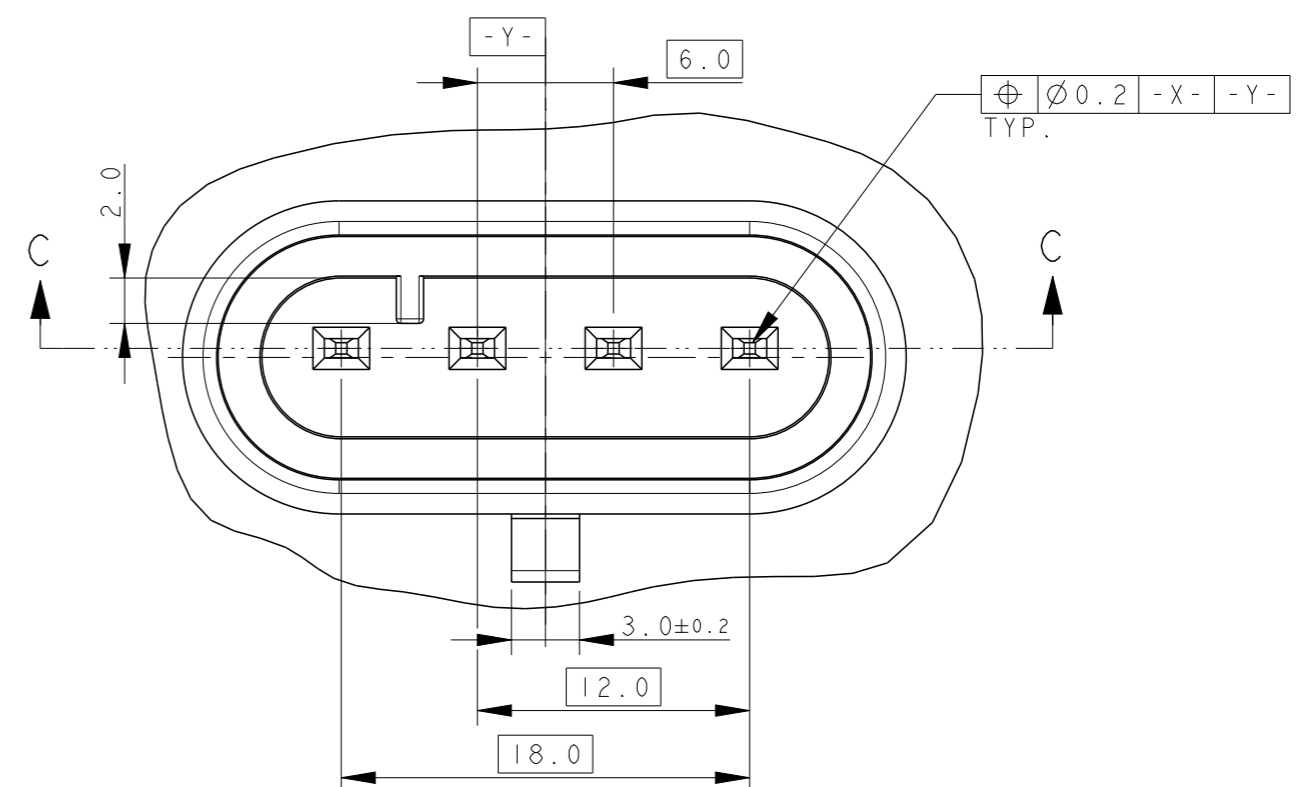
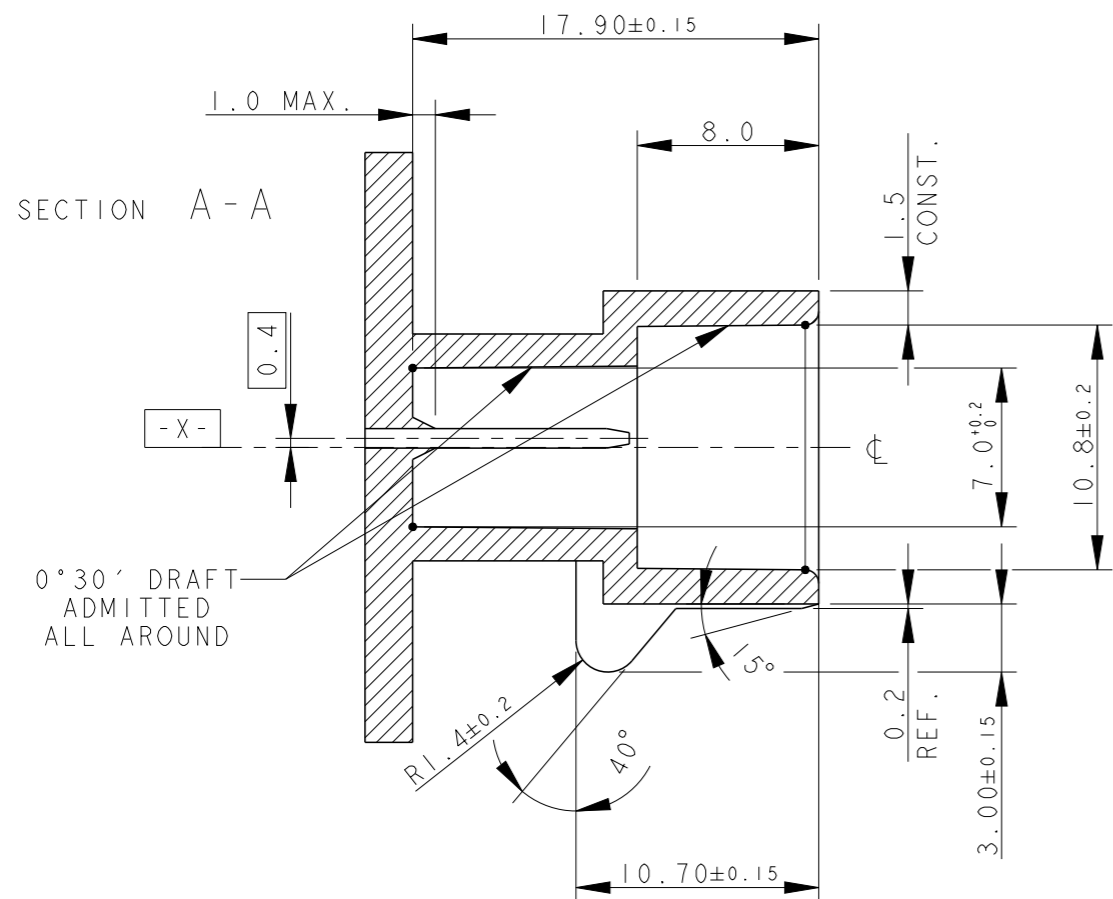
TE CONNECTIVITY TRADE MARK, (IN ALTERNATIVE: "AMP" LOGO, OR "Tyco Electronics" LOGO)  
 SEALING (COLOUR YELLOW)  
 PRE-ASSEMBLED SECONDARY LOCK (COLOUR RED)

|  |  |                            |  |  |                 |
|--|--|----------------------------|--|--|-----------------|
| THIS DRAWING IS A CONTROLLED DOCUMENT. |  | DWN C. BERTINI 05-1992     |  | TE Connectivity                                  |                 |
| DIMENSIONS: mm                         |  | CHK A. BRUNI 05-1992       |  |  |                 |
| TOLERANCES UNLESS OTHERWISE SPECIFIED: |  | APVD -                     |  | NAME -   |                 |
| 0 PLC ±-                               |  | PRODUCT SPEC 108-20090     |  | AMP SUPERSEAL 1.5 SRS.<br>4 POSITIONS PLUG ASS'Y |                 |
| 1 PLC ±0.3                             |  | APPLICATION SPEC 412-20000 |  |  |                 |
| 2 PLC ±-                               |  | WEIGHT 4.65gr              |  | SIZE A3  | CAGE CODE 00779 |
| 3 PLC ±-                               |  | Customer Drawing           |  | DRAWING NO C-282088                              |                 |
| 4 PLC ±-                               |  | SCALE 3:1                  |  | RESTRICTED TO -                                  |                 |
| ANGLES ±2°                             |  | SHEET 1 OF 2               |  | REV F4   |                 |
| FINISH -                               |  | SEE TABLE                  |  |  |                 |

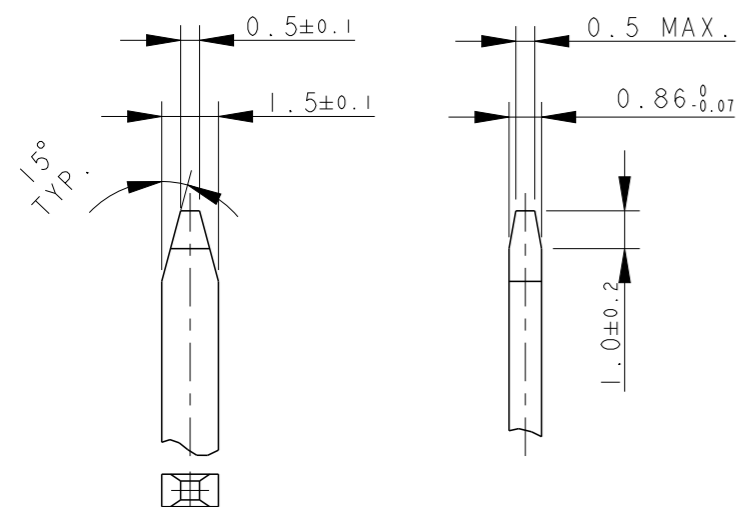
1) FOR COUNTERPART DETAILS, SEE SHEET 2 OF 2  
 2) 282088-3 DIFFERS FROM -1 FOR WHAT INDICATED

| P | LTR | DESCRIPTION | DATE | DWN | APVD |
|---|-----|-------------|------|-----|------|
| - | -   | SEE SHEET 1 |      | -   | -    |

### COUNTERPART DETAILS



### TAB DETAILS



**MATERIALS:** PA66-GF FOR HOUSING  
TIN PLATED BRASS FOR TABS

|   |  |                               |  |                        |                    |
|---|--|-------------------------------|--|------------------------|--------------------|
| THIS DRAWING IS A CONTROLLED DOCUMENT.                                      |  | DWN<br>C. BERTINI 05-1992     | <b>TE Connectivity</b>                           |                        |                    |
| DIMENSIONS:<br>mm   |  | CHK<br>A. BRUNI 05-1992       |  |                        |                    |
| TOLERANCES UNLESS OTHERWISE SPECIFIED:                                      |  | APVD<br>-                     | NAME<br>-  |                        |                    |
| 0 PLC ±0.3<br>1 PLC ±0.1<br>2 PLC ±0.05<br>3 PLC ±<br>4 PLC ±<br>ANGLES ±2° |  | PRODUCT SPEC<br>108-20090     | AMP SUPERSEAL 1.5 SRS.<br>4 POSITIONS PLUG ASS'Y |                        |                    |
| MATERIAL  |  | APPLICATION SPEC<br>412-20000 | SIZE<br>A300779                                  | DRAWING NO<br>C=282088 | RESTRICTED TO<br>- |
| FINISH  |  | WEIGHT<br>4.65gr              | SCALE<br>1:1                                     | SHEET<br>2 OF 2        | REV<br>F4          |
|   |  | Customer Drawing              |  |                        |                    |